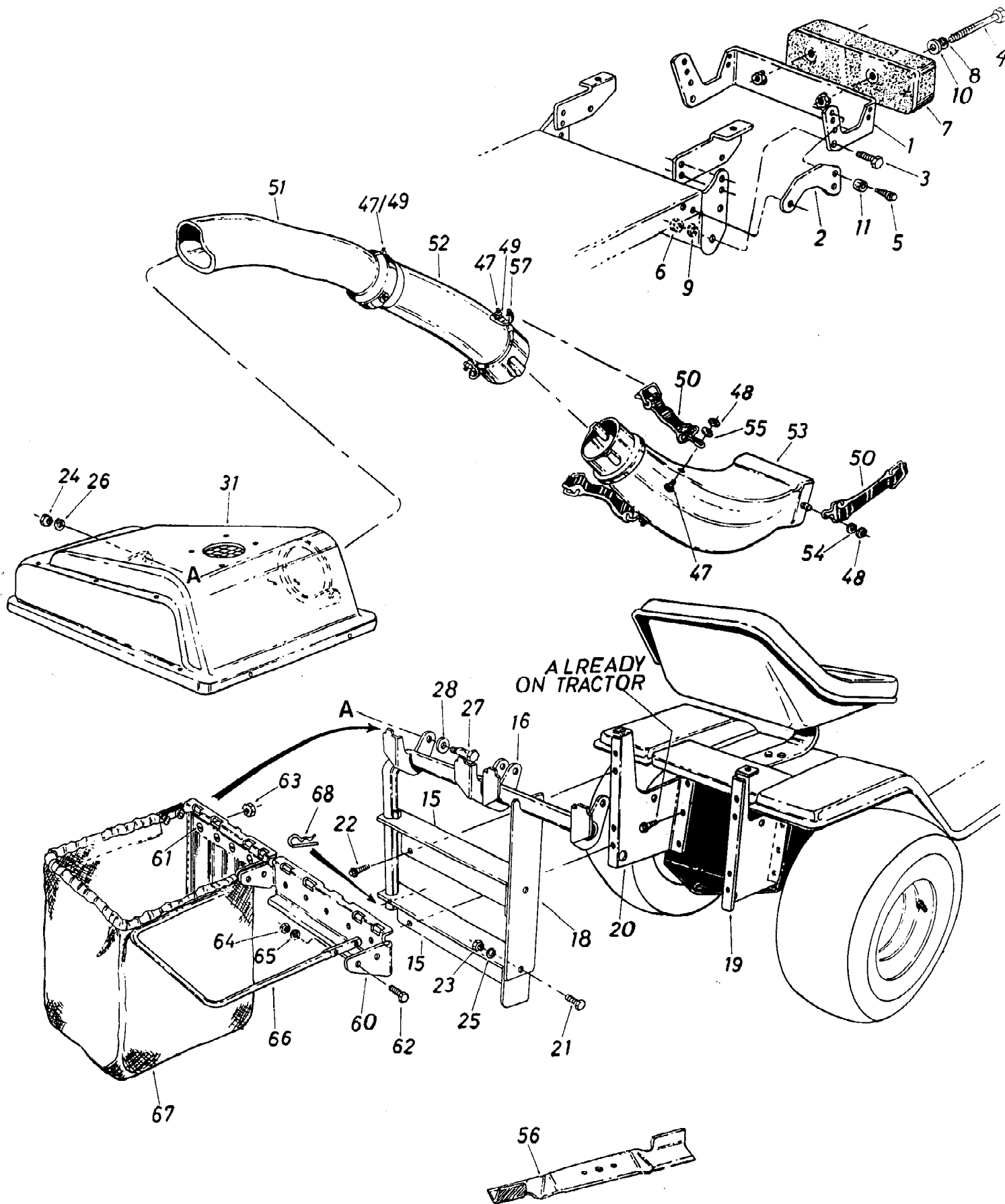


196-064-000 Rear Bagging Grass Catcher (1986)
Rear Bagging Grass Catcher



196-064-000 Rear Bagging Grass Catcher (1986)
Rear Bagging Grass Catcher

Page 2 of 2

Ref #	Part Number	Qty	S/P/F	Description
1	15873	1		Weight Brkt. Ass'y.
2	16024	1		Weight Brkt. Tie Strap
3	710-0314	1	/P	Hex Bolt 7/16-20 x 1.0" Lg.*
4	710-0693	1	/P	Hex Bolt 3/8-16 x 4.5" Lg.*
5	710-0915	1		Hex AB Tap Scr. 5/16-18 x 1.0"
6	712-0240	1	S	Hex Jam Nut 7/16-20 Thd .
7	723-0367	1		Front Counter Weight 38 lbs.
8	736-0105	1	/P	Bell.-Wash. 400" I.D. x .88" O.D.
9	736-0171	1	S	L.-Wash. 7/16" I.D.*
10	736-0280	1		Fl.-Wash. .390" I.D. x 1.12" O.D.
11	748-0298	1		Spacer
15	16587	1	S	Catcher Support Tube Mtg. Brkt.
16	16588	1	S	Catcher Support Tube Ass'y.
18	16593	1	S	Catcher Latch and N Support Brkt.
19	16610	1	S	Grass Catcher Support Brkt.-R.H.
20	16611	1	S	Grass Catcher Support Brkt.-L.H.
21	710-0118	1	S	Hex Bolt 5/16-18 x .75" Lg.*
22	710-0869	1		Hex Self-Tap Scr. 1/4-20 x .62" Lg.
23	712-0267	1	S	Hex Nut 5/16-18 Thd.*
24	712-0798	1	/P	Hex Nut 3/8-16 Thd.*
25	736-0119	1	S	L.-Wash. 5/16" I.D.*
26	736-0169	1	S	L.Wash. 3/8" I.D.*
27	738-0380	1	S	Shld. Bolt 3/8-16 x .500" Dia.
28	736-0253	1	S	Bell.-Wash. .505" I.D. x 1.00" O.D.
31	16594	1		Grass Catcher Cover Ass'y.
47	710-0289	1	S	Hex Bolt 1/4-20 x .50" Lg.*
48		1		UNKNOWN
49	712-0324	1	/P	Hex Ins. L.-Nut 1/4-20 Thd.
50	723-0383	1	S	Retainer Strap Ass'y.
51	731-0825	1		Catcher Elbow
52	731-0826	1	S	Catcher Tube
53	731-0827	1	S	Discharge Chute
54	736-0175	1	S	L.-Wash. .270" I.D. x .57" O.D.
55		1		UNKNOWN
56	742-0473	1	S	High-Lift Blade 19.38" x 3"
57	16606	1	S	Retainer Hook Brkt.
60	16591	1	S	Bag Frame Hanger Brkt.
61	710-0192	1	/P	Truss Mach. Scr. #10-24 x .38" Lg.
62	710-0412	1	/P	Hex Bolt 1/4-28 x .75" Lg.
63	712-0272	1	/P	Hex Sems Nut #10-24 Thd.
64	712-0138	1	S	Hex Nut 1/4-28 Thd.*
65	736-0329	1	S	L.-Wash. 1/4" I.D.*
66	749-0701	1	S	Catcher Bag Frame
67	764-0221	1	S	Grass Catcher Bag
68	714-0117	1	/P	Int. Cotter Pin